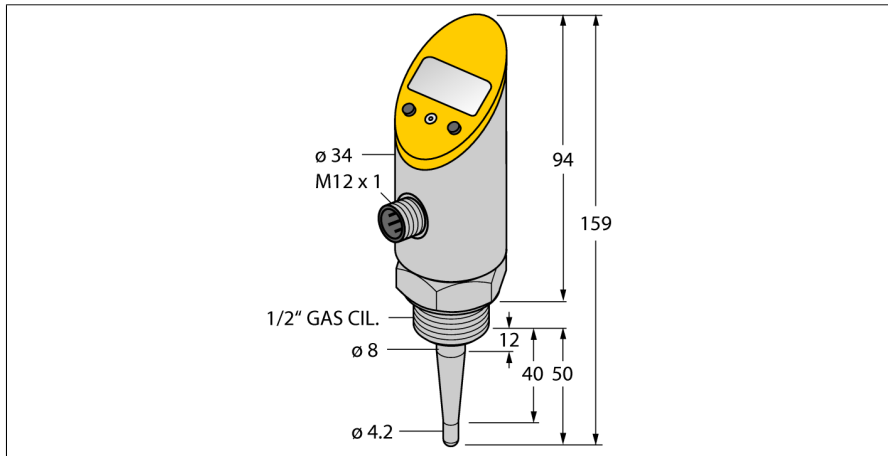
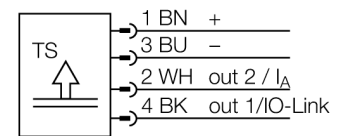


# Temperature measurement with current output and PNP/NPN transistor switching output output 2 reprogrammable as switching output TS-516-LI2UPN8X-H1141-L050



- Housing is rotatable after plugging the process connection
- Reading of adjusted values without tools
- Recessed pushbutton and keylock for secure programming
- Permanent display of temperature unit (°C, °F, K, Ohm)
- Temperature peak memory

## Wiring Diagram



## General description

The TS series is a compact processing unit with a 4-digit, 7-segment display. Available are versions with non-rotatable (TS400) or rotatable (TS500) body and various output types.

<b>Type designation</b>	TS-516-LI2UPN8X-H1141-L050
Ident-No.	6840028
<b>Temperature range</b>	
Temperature operating range	-50...150 °C
Temperature operating range	-58...302 °F
Measuring element	Pt-100 probe, DIN EN 60751, class A
Accuracy	0.15 °C + 0.002 ·  t  (-30 ...350 °C)
Response time	t 0.5 = 6 s / t 0.9 = 15 s in water at 0.2 m/s
Immersion depth (L)	50 mm
<b>Power supply</b>	
Operating voltage	18...30 VDC
Current consumption	≤ 50 mA
Voltage drop at I <sub>e</sub>	≤ 2 V
Protective measure	SELV; PELV according to EN 50178
Short-circuit/reverse polarity protection	yes / yes
Protection type and class	IP67 / IP69K / III
<b>Outputs</b>	
Output 1	Switching output or IO-Link mode
Output 2	analog or switching output
<b>Switching output</b>	
Output function	NO/NC programmable, PNP/NPN
Switching point accuracy	± 0.3 K
Rated operational current	0.2 A
Switching frequency	≤ 180 Hz
Switching point distance	≥ 0.2 K
Switching cycles	≥ 100 mil.
Release position	-50...+149.8°C
Switching point	-49.8...+150°C
<b>Analog output</b>	
Operating range	4...20/ 0...20 mA (3-wire)
Load	≤ 0.5 kΩ
Accuracy (Lin. + Hys. + Rep.)	± 0.3 K
Remark	0.1% of full scale applies to temperatures > 200 °C
Repeatability	0.1 K
<b>IO-Link</b>	
IO-Link Specification	Specified acc. to version 1.0
Programming	FDT / DTM
Transmission physics	corresponds to 3-wire physics (PHY2)
Transmission rate	COM 2 / 38.4 kbps
Process data width	16 bit
Measured value information	14 bit
Switchpoint information	1 bit
Frame type	2.2
Genauigkeit	± 0.2 K

## Temperature measurement with current output and PNP/NPN transistor switching output output 2 reprogrammable as switching output TS-516-LI2UPN8X-H1141-L050

---

### Temperature behaviour

Temperature coefficient zero point $T_{k0}$	$\pm 0.15$ % of full scale/10 K
Temperature coefficient span $T_{ks}$	$\pm 0.15$ % of full scale/10 K

---

### Ambient conditions

Ambient temperature	-40...+80 °C
Storage temperature	-40...+80 °C
Vibration resistance	20 g (9...2000 Hz), according to IEC 68-2-6
Shock resistance	50 g (11 ms), acc. to IEC 68-2-27
EMC	EN 61000-4-2 ESD:4 kV CD / 8 kV AD EN 61000-4-3 HF radiated:15 V/m EN 61000-4-4 Burst:2 kV EN 61000-4-5 Surge: 1 kV, 42 Ohm EN 61000-4-6 HF conducted:10 V

---

### Housing

Housing material	Stainless-steel/Plastic, V2A (1.4305)
Process connection	G 1/2" male thread
Electrical connection	Connector, M12 × 1
Pressure resistance	160 bar

---

### Reference conditions acc. to IEC 61298-1

Temperature	15...+25 °C
Atmospheric pressure	860...1060 hPa abs.
Humidity	45...75 % rel.
Auxiliary power	24 VDC

---

### Display

Display	4-digit 7-segment, rotatable by 180°
Switching state	2 × LEDs, Yellow
Programming options	switch/release point, hysteresis/window mode, NO/NC; unit
Unit display	4 x green LED (°C, °F, K, Ohm)

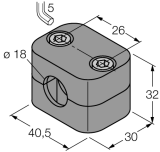
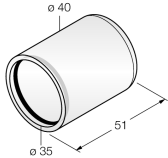
---

### MTTF

255 years acc. to SN 29500 (Ed. 99) 20 °C

**Temperature measurement  
with current output and PNP/NPN transistor switching output  
output 2 reprogrammable as switching output  
TS-516-LI2UPN8X-H1141-L050**

**Accessories**

Type code	Ident-No.	Description	
BSS-18	6901320	Mounting bracket for smooth and threaded barrel devices; material: Polypropylene	
PTS-COVER	A9350	Closure cap	
PTS-MB	6835043	Mounting bracket	